

# KX016-4/KX018-4 OPTIONS & EQUIPMENT

## ● Hydraulic hitch



## ● Canopy lights



## ● Buckets



## WORKING RANGE

Model			KX016-4	KX018-4
A	Max. digging height	mm	3360	3460
B	Max. dumping height	mm	2290	2380
C	Max. digging depth	mm	2250	2380
D	Max. vertical digging depth	mm	1810	2030
E	Max. digging radius, at ground level	mm	3730	3860
F	Max. digging radius	mm	3790	3920
G	Min. turning radius	W/o swing	mm	1490
		With swing	mm	1180
H	Min. tail turning radius	mm	1070	1070

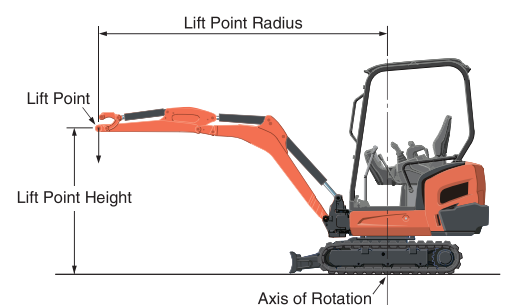
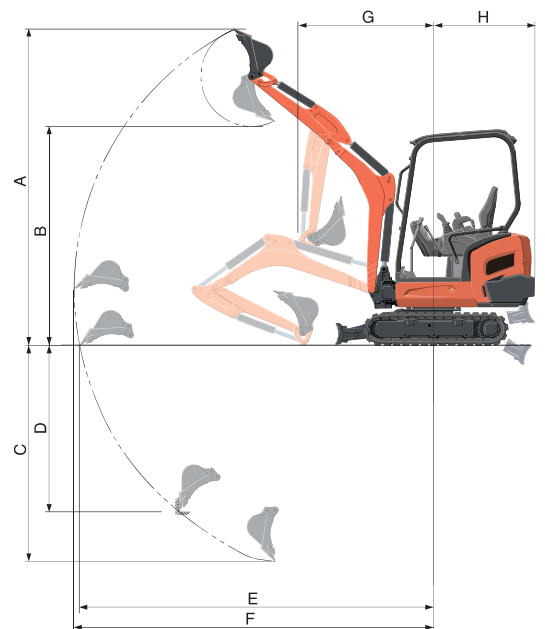
## LIFTING CAPACITY

LIFT POINT HEIGHT (m)	LIFTING CAPACITY OVER THE FRONT, BLADE DOWN unit=kN					LIFTING CAPACITY OVER THE SIDE, TRACK WIDTH 1240mm unit=kN				
	LIFT POINT RADIUS (m)					LIFT POINT RADIUS (m)				
	1.0	1.5	2.0	2.5	3.0	1.0	1.5	2.0	2.5	3.0
2.5	-	-	-	-	-	-	-	-	-	-
2.0	-	-	-	2.6	-	-	-	-	2.5	-
1.0	-	-	4.5	3.5	2.9	-	-	3.2	2.4	1.8
0	-	4.7	5.3	3.8	2.8	-	4.4	2.9	2.2	1.7
-1.0	8.5	5.9	4.0	2.8	-	8.5	4.4	2.8	2.2	-
GL	-1.5	-	4.3	2.8	-	-	4.3	2.8	-	-

### KX018-4

LIFT POINT HEIGHT (m)	LIFTING CAPACITY OVER THE FRONT, BLADE DOWN unit=kN					LIFTING CAPACITY OVER THE SIDE, TRACK WIDTH 1240mm unit=kN				
	LIFT POINT RADIUS (m)					LIFT POINT RADIUS (m)				
	1.0	1.5	2.0	2.5	3.0	1.0	1.5	2.0	2.5	3.0
2.5	-	-	-	2.6	-	-	-	-	2.6	-
2.0	-	-	-	2.5	-	-	-	-	2.5	-
1.0	-	6.5	4.3	3.5	3.0	-	6.5	4.3	3.1	2.4
0	-	6.1	5.8	4.1	3.1	-	6.1	4.0	2.9	2.3
-1.0	9.1	6.8	4.5	3.2	-	9.1	6.3	3.9	2.8	-
GL	-1.5	11.4	5.2	3.4	-	11.4	5.2	3.4	-	-

Machine with standard arm without bucket, rubber crawler, ROPS canopy and standard track width.

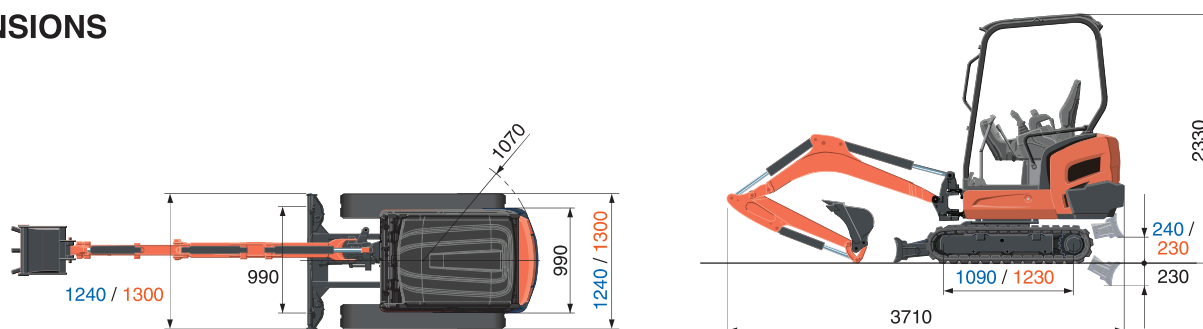


# SPECIFICATIONS

Model		KX016-4		KX018-4			
Type of ROPS / FOPS		Canopy		Canopy			
Type of tracks		Rubber		Rubber			
Engine	Model		Kubota D782-BH		Kubota D902-BH		
	Output (SAEJ 1995 gross)	HP (kW)/rpm	13.7 (10.2) / 2300		17.0 (12.7) / 2300		
	Output (SAEJ 1349 net)	HP (kW)/rpm	12.2 (9.1) / 2300		15.2 (11.3) / 2300		
	Displacement	cc	778		898		
Dimensions	Overall length		mm		3710		
	Overall height		mm		2330		
	Overall width		mm		1240 / 990		
	Min. ground clearance		mm		160		
Hydraulic system	Pump capacity		ℓ/min		17.3 × 2 / 10.4 × 1 / 6.2 × 1		
	Auxiliary hydraulic flow		ℓ/min		27.7		
	Max. breakout force	Bucket / Arm	kgf		1370 / 740		
Drive system	Travel speed	Low / High	km/h		2.1 / 3.8		
	Max. traction force		kgf		2207		
	Tumbler distance		mm		1090		
	Crawler length		mm		1585		
	Shoe width		mm		230		
	Ground contact pressure		kgf/cm <sup>2</sup>		0.26		
	Swing system	Unit swing speed		rpm		9.1	
Boom swing angle		Left / Right	degree		75 / 60		
Blade	Dimensions		Width	mm		1240 / 990	
			Height	mm		230	
	Max. lift above ground		mm		240		
	Max. drop below ground		mm		230		
Hydraulic oil (reservoir / system)		ℓ		15.5 / 28			
Fuel reservoir		ℓ		21			
Operating weight (Including operator's weight 80 kg)		kgf		1570			
				1700			

The company reserves the right to change the above specifications without notice. This brochure is for descriptive purposes only. Please contact your local Kubota dealer for warranty information. For your safety, Kubota strongly recommends the use of a Rollover Protective Structure (ROPS) and seat belt for almost all applications.

## DIMENSIONS



KX016-4 / KX018-4  
 KX016-4  
 KX018-4  
 Unit: mm

©2012 Kubota Corporation



### KUBOTA Tractor Australia Pty Ltd

25-29 Permas Way, TRUGANINA Vic, 3029  
 Freecall: 1800 334 653  
 Email: sales@kubota.com.au

Web Site: <http://www.kubota.com.au>

### CB Norwood Distributors Ltd

PO Box 1265, 888 Tremaine Avenue,  
 Palmerston North 0800 KUBOTA  
 Tel: 06 356 4920 Fax: 06 356 4939

Web Site: <http://www.kubota.co.nz>